

Features

- 1000 user codes & cards
- 4-8 digit master codes
- Volt free relay, 4A resistive
- 11-13Vac/dc, 150mA standby
- 128 x 82 x 28mm cast aluminium
- Programmable bad code alarm
- Relay on time 0-99 secs (default=6 sec)



LED indicators - 3 colour LED & beeper signal the following:

- Red flashing slowly. **Ready**
- Red on & yellow flashing slowly **Programme mode**
- Green on & 'bip bip' **Valid card or entry, relay on**
- 'beep' (long tone) **Invalid card or entry**

Description

X98 can be set to access with card only, or card with PIN, or PIN only. Each keycode must be associated with a card reader even if the card is not used. The relay on time is set 0-99secs. The user locations (000-999) hold card and PIN data. Administrators need to keep records of location numbers, codes, and user names. Individual records can be deleted using the card, or by knowing the location number. All codes can be deleted by a clear routine.

User instructions

- By card - read the card by placing it within 30mm of the keys.
- By PIN - enter the PIN then press #. (PIN must be enabled first)
- By card and PIN - first read the card, then enter PIN then press #.
- PIN - Users may change their PIN. Default is 1234. To change to 5678
*** (read the card) 1234 # 5678 # 5678 #**

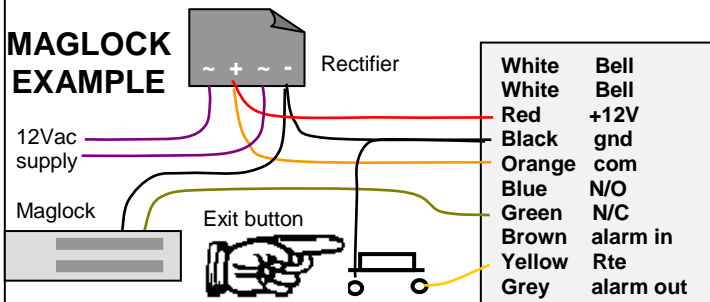
Simple keypad

A simple 1 user card or code example for commissioning. The first user must be 001. Relay = 6 secs. The '302' sets 'card or PIN' mode. Users must enable their PIN (see above). Add more users later.

*** 9999 # 1 (read the card) 001 # 302 # ***

Wiring

Connections are made through to a 10 pin header, see below.



Programming

Prog mode is entered by mastercode (default is 9999). Hash # key is enter. Star * key is clear. Star also starts or exits prog mode. For clarity, each example below begins with entering mastercode.

*** 9999 #** (programming functions - see below) *** (exit)**

- Add one new user -

(add to user 321)

Prog mode	command	user	enter	exit
* 9999 #	1 (read card)	321	#	(*)

Two beeps after entering user number means it is already in use

- Add a series of new users -

Prog mode	command	user	enter	exit
* 9999 #	1 read 1 st card	056		
	read 2 nd card	057		
	read 3 rd card	058		
	read 4 th card	059		
	read 5 th card	060	#	(*)

- Delete one or more users -

Prog mode	command	enter	exit	
* 9999 #	2 0000	#	(*)	deletes all users
* 9999 #	2 read card	#	(*)	deletes 1 user
* 9999 #	2 321	#	(*)	delete user 321

Expect a delay as all users are deleted. Exit after the double beep.

- Set operational mode -

(default is card only)

Prog mode	command	enter	exit	
* 9999 #	3 00	#	(*)	card only (default)
* 9999 #	3 01	#	(*)	set card & PIN mode
* 9999 #	3 02	#	(*)	set card or PIN mode

The "card or PIN" will only work if PIN is changed from default 1234. PIN's are changed by the user with his card. See user instructions. The administrator can switch modes without losing PIN numbers.

- Set relay 'ON' time -

Prog mode	command	enter	exit	
* 9999 #	4 12	#	(*)	set relay to 12 secs

- Set alarm duration time -

Prog mode	command	enter	exit	
* 9999 #	5 20	#	(*)	set alarm to 20 secs

- Set door open alarm time -

Prog mode	command	enter	exit	
* 9999 #	6 15	#	(*)	set time to 15 secs

- Set bad code response -

Prog mode	command	enter	exit	
* 9999 #	7 00	#	(*)	no action
* 9999 #	7 01	#	(*)	10 minute lockout
* 9999 #	7 02	#	(*)	activate alarm

- Change mastercode -

Prog mode	command	new mastercode	exit	
* 9999 #	0 1111	# 1111#	(*)	changed to 1111

- Factory reset procedure -

Power off and open the X98. Press and hold the 'RESET' button. Power on and wait for beeps to start, then release. Mastercode is reset to '9999'. All cards and codes cleared.